

**Models 72902, 72902-0, 72902-2, 72903
Micro SMD Grabber Test Clips, Holding Rod and Kit**



Features

- Kit includes: 12 grabbers (2 of each color) Black (72902-0), red (72902-2), yellow, green, blue and white.
- 6 black holding rods to reinforce connection positions during side-by-side measurements. model (72903)
- 12 black micro leads with 0.8mm female / 0.8mm male connectors
- **Grabbers are designed for easy attachment to SMD chips with pitches down to 0.008" (0.20 mm)**
- Thin yet durable design permits attachment with close spacing in tight areas. Insulated tip minimizes shorting on adjacent pins
- Gold plating for low resistance connections.

Rating: *hands free testing* in controlled environment: 70 Vrms max. For CE compliance: Not intended for hand-held use at voltages above 33Vrms/70Vdc

Ordering Information

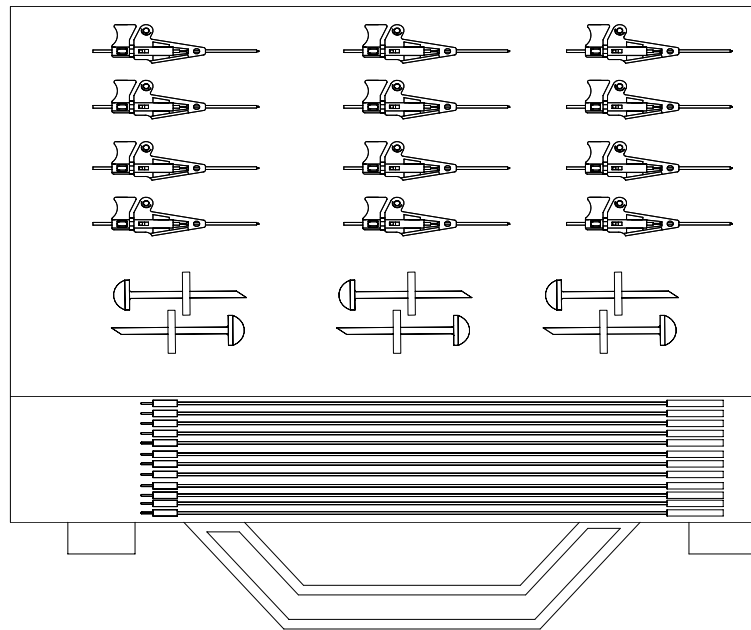
Model: 72902 Kit pictured above
 Model: 72902-Color Grabber pictured on page 2
 Available Colors: -0 (Black), -2 (red)
 Model: 72903 Holding Rods

USA: Sales: 800-490-2361 Technical Support: 800-241-2060 Fax: 888-403-3360

Europe: 31-(0) 40 2675 150 **International:** 425-446-5500

e-mail: technicalsupport@pomonatest.com

Where to Buy: www.pomonaelectronics.com



Model 72902

All dimensions are in inches. Tolerances (except noted): .xx = ±.02" (.51 mm), .xxx = ±.005" (.127 mm). All specifications are to the latest revisions. Specifications are subject to change without notice. Registered trademarks are the property of their respective companies.

**Models 72902, 72902-0, 72902-2, 72903
Micro SMD Grabber Test Clips, Holding Rod and Kit**



Holding Rod For Micro SMD Grabber Test Clip

Features

- Holding rods reinforce SMD Grabber (72902) connection positions during side-by-side measurements.

Materials

- Black Polyamide

Ordering Information

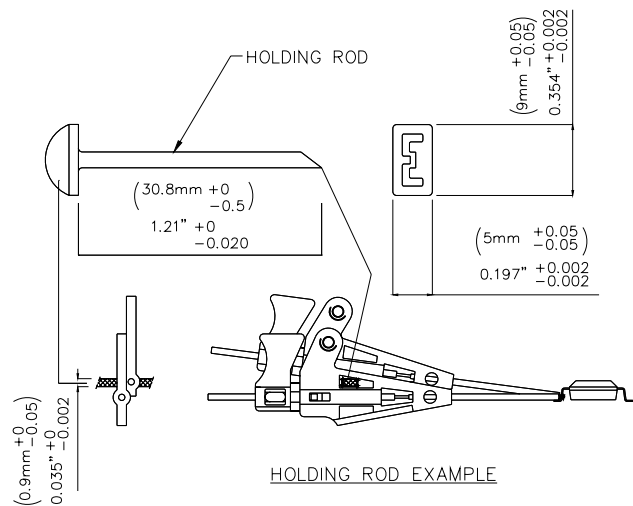
Model: 72903 Sold 10 per package.

USA: Sales: 800-490-2361 Technical Support: 800-241-2060 Fax: 888-403-3360

Europe: 31-(0) 40 2675 150 **International:** 425-446-5500

e-mail: technicalsupport@pomonatest.com

Where to Buy: www.pomonaelectronics.com



All dimensions are in inches. Tolerances (except noted): .xx = ±.02" (.51 mm), .xxx = ±.005" (.127 mm). All specifications are to the latest revisions. Specifications are subject to change without notice. Registered trademarks are the property of their respective companies.